

built-up thermowells, straight shank, with flanged connection, NP 6...25

W82



Thermowells are used to protect the measuring instrument from corrosion, high pressure or high fluid velocity and to allow the measuring instrument removal for recalibration or replacement without affecting the process system. The W82 series includes bar-stock thermowells with flanged process connection. These thermowells are suitable for low / medium work intensity.

9.W82 - Standard Model

Nominal pressure: as flange rating, 360 psi @ 752°F max (25 bar @ 400°C).

Process fluid temperature: -328...+752°F (-200...+400°C), for std materials.

Total length: 196" max (5000 mm).

Insertion hole: 100 - $\varnothing 0,39$ " (10 mm); 120 - $\varnothing 0,47$ " (12 mm)

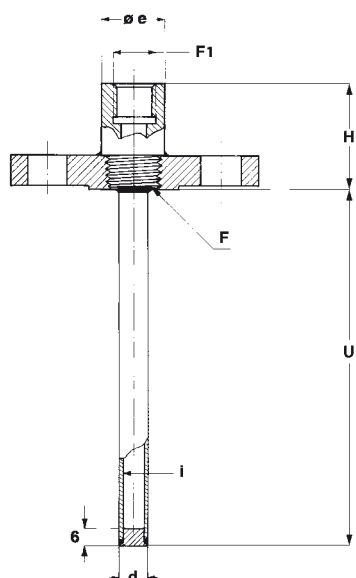
Process connection: plain flanges as per UNI-DIN or ASME B16.5; dimensions and finishing as defined in "Thermowell information" sheet.

Materials: AISI 316 (Cod. 4) or AISI 316L (Cod. 5) st.st tube and thread; ASTM A 105 (Cod. 3), AISI 316 (Cod. 4) st.st flange.

OPTIONS

P02 - Oxygen service
E30 - NACE MR0103/MR0175 - ISO15156-3 certificate
TC1 - Plug and chain (1)
NIP - Nipple with coupling (1)
P04 - Dye penetrant test (1)

(1) Drawings and details in the "Thermowells information" sheet.



F1
41F - G 1/2
43F - 1/2-14 NPT
53F - 3/4-14 NPT

dimensions : inches (mm)

Standard (1)	DN		F	e	H	i	d
ASME B16.5	1/2"	Class 150...300	1/2" NPT	1.18 (30)	1.57 (40)	0.39 (10)	0.47 (12)
	3/4"		1/2" NPT				
	1"		3/4" NPT	1.38 (35)		0.47 (12)	0.55 (14)
	1" 1/2		1" NPT				
	2"		1" NPT				
DIN-UNI	15	NP 6...25 bar	1/2" NPT	1.18 (30)	1.57 (40)	0.39 (10)	0.47 (12)
	20		1/2" NPT				
	25		3/4" NPT				
	32		1" NPT	1.38 (35)		0.47 (12)	0.55 (14)
	40		1" NPT				
	50		1" NPT				

(1) flange dimensions are shown on introductory data-sheet "Introduction to thermowells"

"HOW TO ORDER" SEQUENCE

Section	Model	Material	Flange / material	Instrument / connection	Process / connection	Insertion hole	Insertion / length	Extension / length	Options
9	W82	4	3	41F	6AA	100			P02...P04
		5	4	43F		120			
				53F					