

capsule pressure gauges DS 2.5" (63mm)

MN9



For measurement of low pressure and vacuum, for use on gas and dry air.

2.09.1 - MN9 DN63

Design: EN 837-3.

Ranges: from 0...24 to 0...600 INWC (from 0...60 mbar to 0...600 mbar), vacuum and combined vacuum/pressure (or equivalent units).

Accuracy class: 1.6 as per EN 837-3.

Ambient temperature: -13...+149 °F (-25...+65 °C).

Process fluid temperature: +212 °F; (+100 °C).

Thermal drift: ±0,4 % / 10 °C of range (starting from 68°F - 20°C).

Working pressure: max 75% of FSV.

Over pressure limit: 25% of FSV.

Protection degree: IP 55 as per EN60529 / IEC 529.

Socket material: copper alloy, nickel plated.

Elastic element: copper alloy.

Case: stainless steel.

Ring: stainless steel polished, crimped.

Window: plastic.

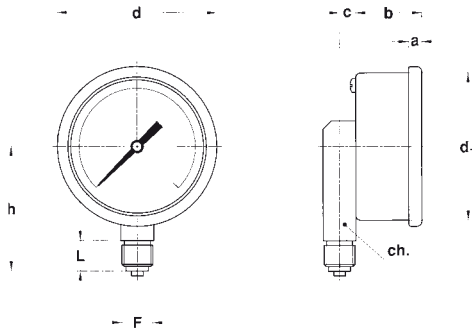
Movement: copper alloy.

Dial: aluminium, white with black markings.

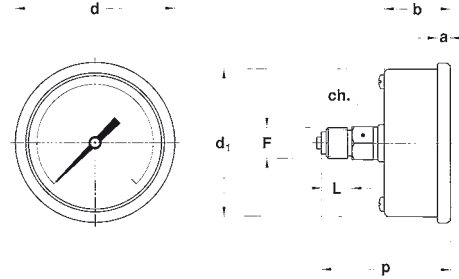
Pointer: aluminium.

Zero adjustment: external.

0...60 mbar	-60...0 mbar	-20...40 mbar
0...100 mbar	-100...0 mbar	-40...20 mbar
0...160 mbar	-160...0 mbar	-40...60 mbar
0...250 mbar	-250...0 mbar	-60...40 mbar
0...400 mbar	-400...0 mbar	-60...100 mbar
0...600 mbar	-600...0 mbar	-100...60 mbar
		-100...150 mbar
		-150...100 mbar
		-150...250 mbar
		-250...150 mbar
		-200...400 mbar
		-400...200 mbar



A - LOWER CONNECTION



D - BACK CONNECTION

Mounting	DN	F	a	b	c	d	d ₁	h	p	L	ch	Weight : lbs (kg)
Lower	C 2.5" (63 mm)	21M	0.22	1.10	0.28	2.68	2.46	2.09		0.51	0.55	0.46
		23MB	(5,6)	(28)	(7)	(68)	(62,6)	(53)		(13)	(14)	(0,21)
Back	C 2.5" (63 mm)	1/4-18 NPT	0.22	1.10		2.68	2.46		2.12	0.51	0.55	0.39
			(5,6)	(28)		(68)	(62,6)		(53,8)	(13)	(14)	(0,18)

dimensions : inches (mm)

OPTIONS

B - "U"-clamp, for back connection pressure gauges
E - Front flange, for back connection pressure gauges

"HOW TO ORDER" SEQUENCE

Section / Model / Case / Mounting / Diameter / Range / Process connection / Options
 2 09 1 A C 21M B, E
 D 23M