

DESCRIPTION

Thermatel® TD1/TD2 switches can easily be adjusted to detect flow (gases and liquids), level or liquid-liquid interface. The TD1 is a 24 V DC line powered unit with integral electronics and a built-in DPDT relay. The TD2 is either V DC or V AC line powered, has integral or remote electronics and offers additionally LED indication, time delay and mA output for diagnostics and trending.

With continuous diagnostics, automatic temperature compensation, narrow hysteresis and fast response time, TD1/TD2 bring you the latest in thermal dispersion technology.

FEATURES

- Easy field calibration – pre-calibration from factory at request.
- Variable flow or Flow/No flow detection of gases and liquids.
- Excellent low flow sensitivity.
- Automatic temperature compensation for repeatable alarm under varying process temperatures.
- Continuous diagnostics detect sensor fault.
- Continuous monitoring of flow rate versus setpoint via LED (TD2).
- mA output provides repeatable indication of flow rate and fault detection (TD2).
- Flow can be measured over test points (TD2).
- Optional retractable fitting for dismantling under process conditions.
- Process conditions up to +450 °C (+850 °F) and 414 bar (6000 psi).
- Integral or remote electronics up to 150 m (500 ft).
- Unique spherical tip design option ideal for liquids or high viscosity applications.
- Suited for SIL1 and SIL2 loops (full FMEDA report available).



APPLICATIONS

MEDIA: all types of gases and liquids.

VESSELS: pipe sizes down to 1/4". Max sensor length up to 3,3 m. Can be installed at any angle vertically/horizontally – flanged, threaded or with compression fitting with or without hot or cold tap – ask for bulletin 41-103.

CONDITIONS: Can be used on conductive and non conductive media, very light density to heavy viscous media (up to 10.000 cP). Can be set to ignore foam, aeration, turbulence, and cavitation.

For FLOW/LEVEL/INTERFACE applications



AGENCY APPROVALS^①

| Agency | Approval |
|---------------------|---|
| ATEX | For TD1 & TD2: II 1/2 G Ex d+ib, d [ib] IIC T5..T4 Ga/Gb, flameproof enclosure with intrinsically safe probe circuitry (not valid for hermetically sealed relay option) |
| | For TD2 only: II 2 G Ex d IIC T5..T4 Gb, flameproof enclosure (zone 1) |
| IEC | For TD1 & TD2: Ex d + ib, d [ib] IIC T5/T4 Gb/Ga |
| | For TD2 only: Ex d IIC T5/T4 Gb |
| FM/CSA ^② | |
| | Russian Authorisation Standards ^② |
| | Other approvals are available, consult factory for more details |

^① Refer to bulletin BE 54-105 for ATEX intrinsically safe units.
^② Consult factory for proper model numbers and classifications.

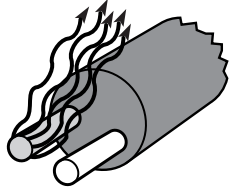
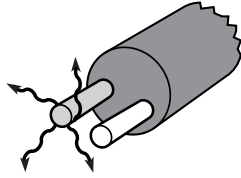
TECHNOLOGY

The unit utilises Magnetrol's proven thermal dispersion technology. The sensor consists of two RTD (Resistance Temperature Detector) elements. One is the reference and the second is heated to a temperature above the process temperature. The electronics detect the temperature difference between the two elements. The temperature difference is greatest in air, then decreases when cooling occurs due to a change in media. An increase in the flow rate further decreases the temperature difference.

The set point is adjusted for the switch to alarm at the desired temperature difference. Once the set point is reached, the relay will change state.

Flow

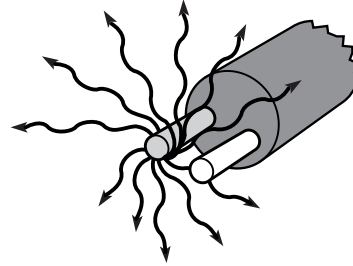
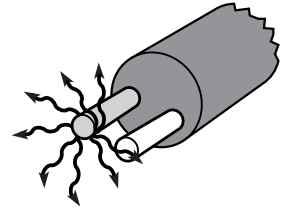
No Flow/Low Flow
In the absence of flow/low flow, the self-heated sensor creates a temperature differential between the two sensors.



Flow
As media flow increases across the sensing assembly, heat is dissipated and temperature differential decreases .

Level

Low Level
In the absence of media, the self-heated sensor tip creates a temperature differential between the two sensors.



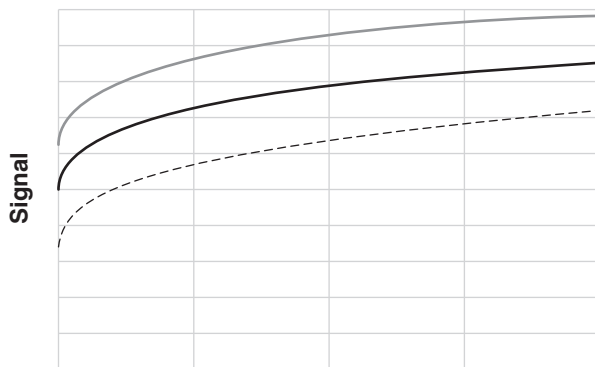
High Level
As media contacts the sensing assembly, heat is absorbed by the fluid, decreasing the temperature differential.

ADVANCED FEATURES

TEMPERATURE COMPENSATION (TD1 & TD2)

The alarm point of thermal dispersion switches has previously been affected by changing temperatures. With the TD1/TD2, the effect of changing process temperature has been greatly reduced.

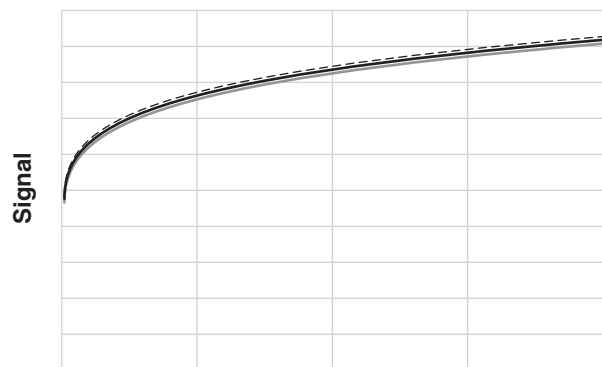
No temperature compensation



flow

— +20 °C (+70 °F)
— +65 °C (+150 °F)
- - - +120 °C (+250 °F)

With temperature compensation



flow

FACTORY CALIBRATION (TD1 & TD2)

TD1/TD2 can be delivered pre-calibrated at a fixed setpoint.

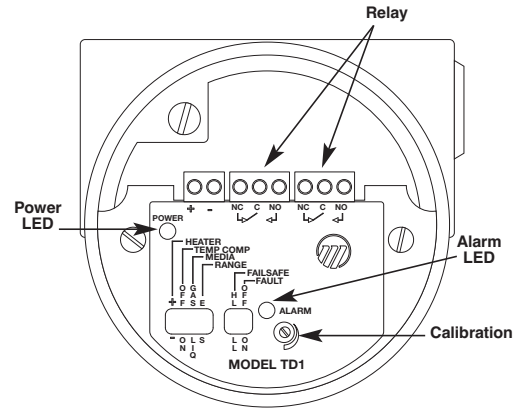
TD2 can be delivered with a complete calibration curve, allowing the customer to field adjust the setpoint by using a voltmeter at the test points.

ADVANCED FEATURES (CONT.)

FAULT DETECTION (TD1 & TD2)

One of the major concerns is questioning if the switch will operate when an alarm condition occurs. The TD1/TD2 is equipped with advanced diagnostics which continuously monitor the signal from the sensor and indicate if the signal has gone out of range. In the event of a fault, the alarm relay will de-energize and the red LED will blink.

In the TD2 the mA output will change to 3,6 mA (Low Level Fail-safe) or 22 mA (High Level Fail-safe) to indicate a fault.

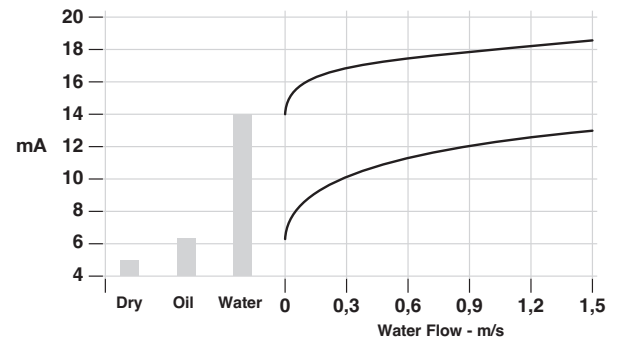


TD1

mA OUTPUT (TD2 only)

- for trending: the calibrated setpoint corresponds with a specific mA value but although not linear, it provides important process information. With increasing flow or immersed sensor, the mA signal increases.
- for diagnostics: either 3,6 mA (Low Level Fail-safe) or 22 mA (High Level Fail-safe) output, indicates for an instrument failure (sensor).

Typical mA signals



TEST POINTS (TD2 only)

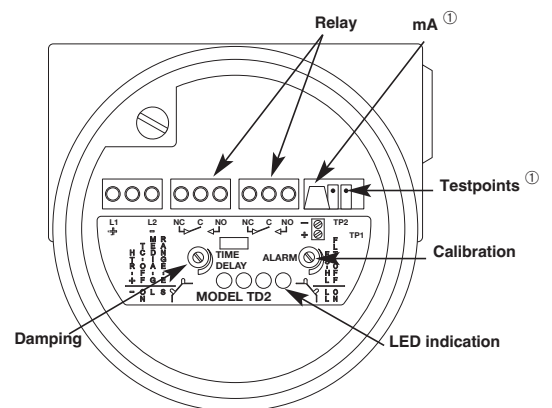
Allow the user to periodically check the setpoint and verify for set point drift. The setpoints read voltage units.

LED INDICATION (TD2 only)

The LED's show progressively actual flow/level versus the calibrated setpoint.

REMOTE ELECTRONICS (TD2 only)

The sensor can be mounted away for 150 m (500 ft). The order code for the remote electronics includes the sensor housing.



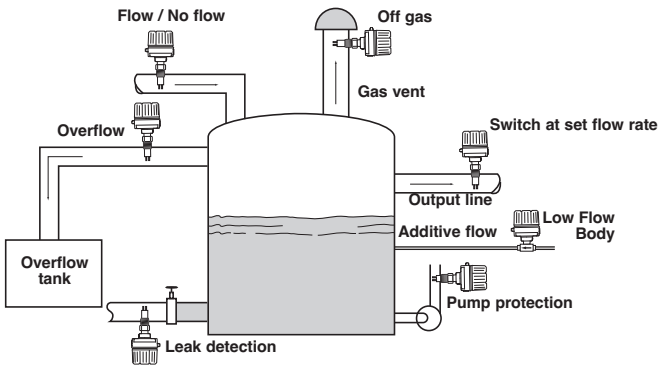
TD2

① not for all models - see electronics part number on page 7

APPLICATIONS

FLOW

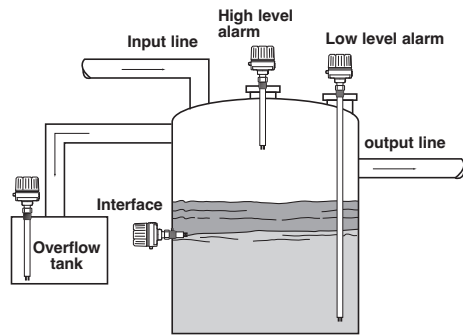
Thermatel® TD1/TD2 switches may be installed in a variety of flow applications as shown in the illustration below. Flow/No Flow can be detected in an input line to a primary tank, or in an output line. They may be installed for overflow detection in a pipe connected to an overflow tank or installed in a drain line for Wet/Dry indication. In addition, due to the capability to detect liquids or gases, the Thermatel® flow switch may be installed in a gas vent to detect off-gas from the primary tank.



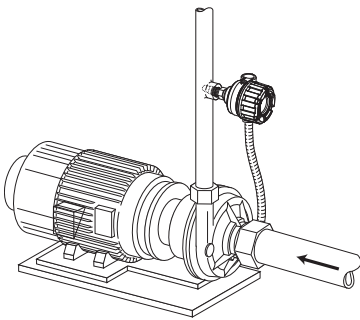
- Liquid or Gas flow detection
- Maintain a minimum flow rate
- Pump protection
- Cooling air/water
- Lubrication systems
- Chemical feed pumps
- Detect presence of flow
- Relief valves
- Flare lines

LEVEL

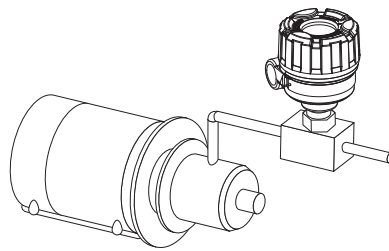
Thermatel® TD1/TD2 switches can be installed in a variety of level applications as shown in the illustration below. High or low level alarm applications can be installed in either vertical or horizontal mountings.



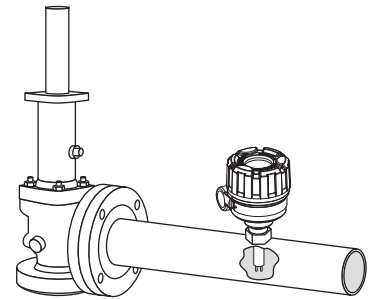
- High level
- Low level
- Interface between different media
- Oil/water
- Liquid/foam
- Suitable for any liquid level detection including:
 - High viscosity
 - High solids content
 - Aeration
 - Foam
- Insensitive to dielectric, specific gravity, viscosity



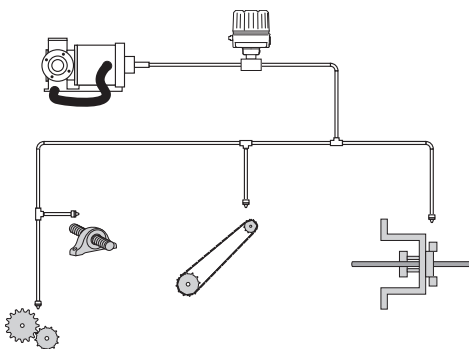
Pump Protection



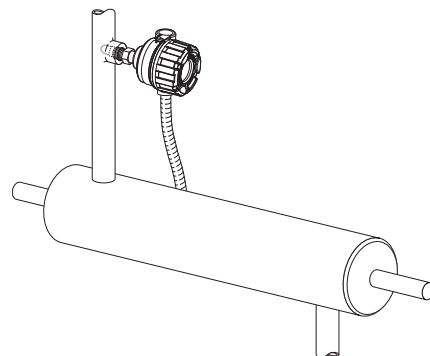
Chemical Feed Pump



Relief Valve Monitoring



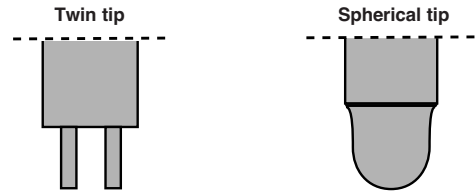
Lubrication Systems



Cooling Water / Cooling Air

SENSOR DESIGNS

Thermatel offers two sensor tip designs: the twin tip and the unique spherical tip. Both designs have similar operating ranges. Both detect flow or level at approximately the same rate. However, the spherical tip responds faster to a loss of flow or a dry condition.



SPHERICAL TIP

The sensing elements are bonded directly to the wall of the tip, providing protection of the sensors.

The spherical tip is recommended for all types of applications: general purpose use, liquid flow applications, high viscosity and applications where buildup can occur. The spherical tip is suitable for process pressures up to 41,4 bar (600 psi) and can handle process temperatures up to +200 °C (+400 °F).

TWIN TIP

The sensing elements are mounted at the end of each tip.

The twin tip is preferred for air flow applications and is available in corrosion resistant materials including Hastelloy C and Monel. The twin tip is suitable for process pressures up to 207 bar (3000 psi) and can handle process temperatures up to +200 °C (+400 °F).

HIGH TEMPERATURE/HIGH PRESSURE (TMH)

This twin tip sensor is suitable for process pressures up to 414 bar (6000 psi) and can handle process temperatures up to +450 °C (+850 °F).

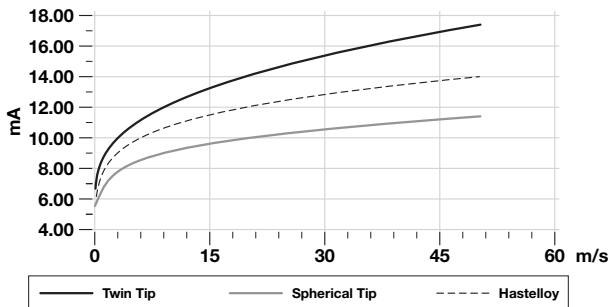
MINI SENSOR (TMM)

This twin tip sensor is suitable for installing in smaller pipe sizes. Available with 1/2", 3/4" and 1" NPT connections. The twin tip design provides minimal blockage of the pipe.

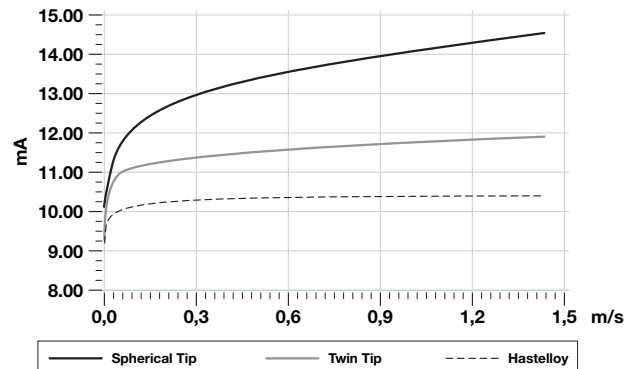
LOW FLOW BODY (TML)

This version is used for even lower flow rates with 1/4" and 1/2" connections.

Typical air flow



Typical water flow



| Model | Sensor design | Recommended for |
|-------|---------------|---|
| TMA | Spherical tip | Best sensitivity for liquid flows / suitable for gas flow – resists heavy coating |
| TMB | Spherical tip | Same as TMA but can be used with integral electronics up to +200 °C (+400 °F) |
| TMC | Twin tip | Best sensitivity for air/gas flows – resists light coating |
| TMD | Twin tip | Same as TMC but can be used with integral electronics up to +200 °C (+400 °F) |
| TMH | Twin tip | High temperature and/or high pressure conditions – resists light coating |
| TMM | Mini twin tip | Installation in small pipe sizes – resists light coating |
| TML | Low flow body | Detection/control of extreme low flows – resists light coating |

QUICK RESPONSE CELL (QRC)

Several models are available for extra quick shipment, within max. 15 days after factory receipt of purchase order, through the Quick Response Cell (QRC).

Models covered by QRC service are conveniently green coded in the selection data charts.

To take advantage of QRC, simply match the green model number codes (standard dimensions apply).

QRC delivery is limited to a maximum of 5 units per order. Contact your local representative for lead times on larger volume orders, as well as other products and options.

SELECTION DATA

A complete measuring system consists of:

1. THERMATEL® electronics
2. Connecting cable (only applicable for remote mount TD2 units)
3. THERMATEL® sensor
4. Optional: Order code for thread-on mounting flanges
5. Optional: Retractable probe assembly, consult factory for details
6. Optional: Factory calibration, consult factory



TD1



TD2

1. Order code for Thermatel® TD1 electronics

| | |
|---------------------|---|
| T D 1 - 2 D 0 0 - 0 | Integral mount electronics for 24 V DC power supply and with 1 DPDT 8 A DPDT output relay |
|---------------------|---|

APPROVAL

| | |
|---|---|
| 3 | Weatherproof |
| C | ATEX/IEC flameproof enclosure with intrinsically safe probe circuitry |

HOUSING / CABLE ENTRY

| | |
|---|---|
| 0 | IP66, Cast aluminium, 3/4" NPT cable entry (2 entries - 1 plugged) |
| 1 | IP66, Cast aluminium, M20 x 1,5 cable entry (2 entries - 1 plugged) |



complete order code for Thermatel® TD1 electronics

→ X = product with a specific customer requirement

SELECTION DATA (CONT.)

1. Order code for Thermatel® TD2 electronics

| | |
|-------|--|
| T D 2 | Electronics with continuous LED indication and mA output |
|-------|--|

POWER SUPPLY

| | |
|---|-------------------------|
| 7 | 240 V AC (100-264 V AC) |
| 8 | 24 V DC (± 20 %) |

OUTPUT

| | |
|-----|------------------------------------|
| D 0 | 8 A DPDT relay |
| H 0 | 1 A Hermetically sealed DPDT relay |

ACCESSORIES

| | |
|---|---|
| 0 | Blind housing cover |
| 1 | Housing cover with glass window (for aluminium housings only) |

MOUNTING CONFIGURATION

| | |
|---|----------------------|
| 0 | Integral electronics |
| 1 | Remote electronics |

APPROVAL ^①

| | |
|---|---|
| 3 | Weatherproof |
| C | Zone 0 – for level applications ATEX/IEC flameproof enclosure with intrinsically safe probe circuitry - no mA output available - only available with 8 A DPDT relay option |
| G | Zone 1 – for level and flow applications ATEX/IEC flameproof enclosure |

^① Consult factory for zone 0 applications in combination with hermetically sealed relay.

HOUSING / CABLE ENTRY

| | |
|---|---|
| 0 | IP66, Cast aluminium, 3/4" NPT cable entry (2 entries - 1 plugged) |
| 1 | IP66, Cast aluminium, M20 x 1,5 cable entry (2 entries - 1 plugged) |
| 2 | IP66, Cast stainless steel, 3/4" NPT cable entry (2 entries - 1 plugged) |
| 3 | IP66, Cast stainless steel, M20 x 1,5 cable entry (2 entries - 1 plugged) |

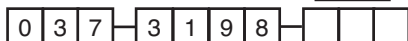


complete order code for Thermatel® TD2 electronics

→ X = product with a specific customer requirement

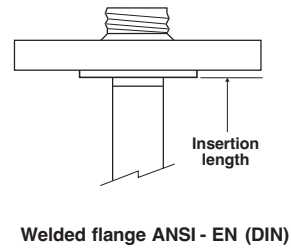
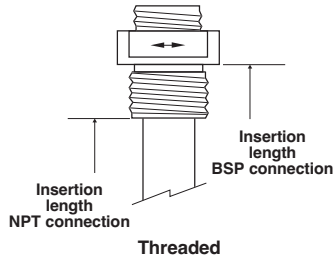
2. Order code for connecting cable used with weatherproof remote mount TD2 electronics (6-wire cable/shielded). Consult factory for cable suitable for flameproof enclosure.

| | |
|---------------|---|
| 0 0 3 - 1 5 0 | From 3 m (10 ft) min. to 150 m (500 ft) max. Specify in increments of 1 m (3.28 ft) |
|---------------|---|

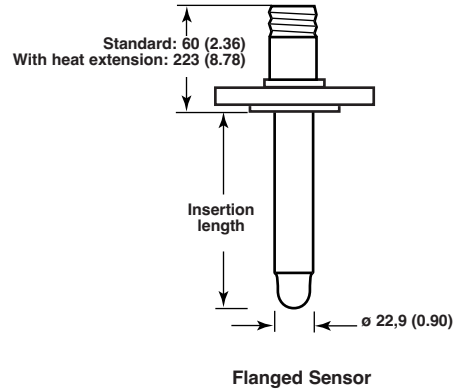
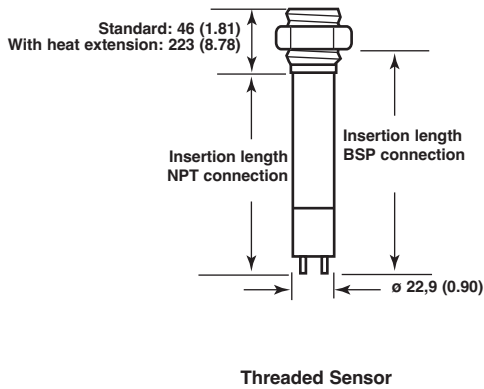


complete order code for connecting cable

CONNECTIONS



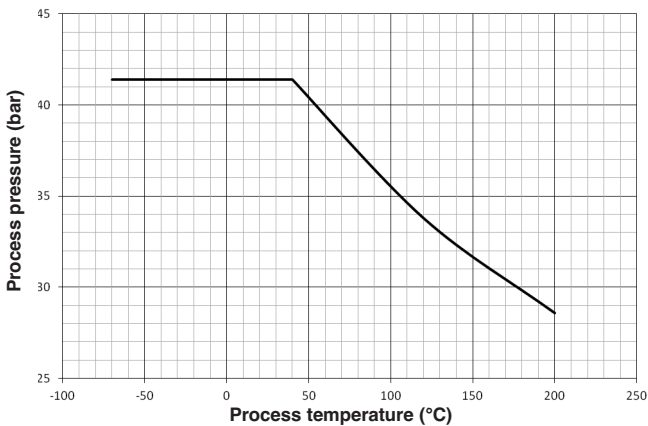
DIMENSIONS IN mm (inches) – TMA/TMB/TMC/TMD



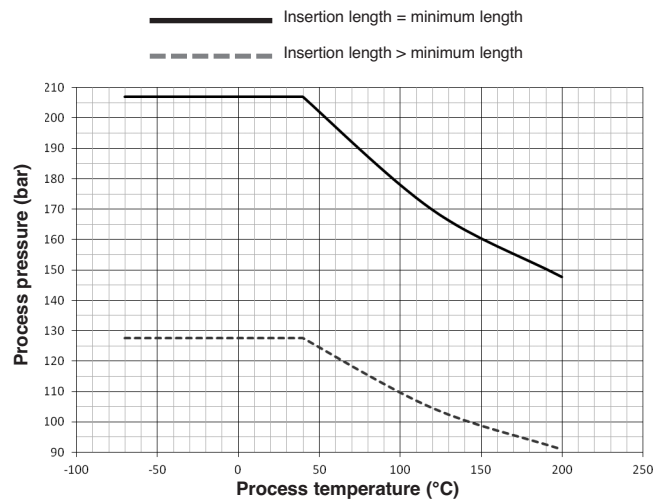
PRESSURE/TEMPERATURE RATING – TMA/TMB/TMC/TMD

| Sensor | Material code | Insertion length | Maximum process pressure | | |
|----------|---------------|------------------|--------------------------|---------------------|---------------------|
| | | | @ +40 °C (+100 °F) | @ +120 °C (+250 °F) | @ +200 °C (+400 °F) |
| TMA, TMB | A | All | 41,4 bar (600 psi) | 33,8 bar (490 psi) | 28,6 bar (415 psi) |
| TMC, TMD | A, D | = minimum length | 207 bar (3000 psi) | 170 bar (2460 psi) | 148 bar (2140 psi) |
| | | > minimum length | 128 bar (1850 psi) | 105 bar (1517 psi) | 91,0 bar (1320 psi) |
| TMC, TMD | B | = minimum length | 207 bar (3000 psi) | 181 bar (2627 psi) | 161 bar (2340 psi) |
| | | > minimum length | 103 bar (1500 psi) | 90,6 bar (1313 psi) | 80,7 bar (1170 psi) |
| TMC, TMD | C | = minimum length | 172 bar (2500 psi) | 147 bar (2125 psi) | 137 bar (1980 psi) |
| | | > minimum length | 82,8 bar (1200 psi) | 70,3 bar (1020 psi) | 65,5 bar (950 psi) |

TMA/TMB sensors



TMC/TMD sensors with material code A or D



SELECTION DATA (CONT.)

3. Order code for Thermatel® TD1/TD2 – STANDARD SENSOR

| | | |
|-------|-------------------------------------|------------------------------------|
| T M A | Spherical tip - standard | max +120 °C (+250 °F) ^① |
| T M B | Spherical tip - with heat extension | max +200 °C (+400 °F) |
| T M C | Twin tip - standard | max +120 °C (+250 °F) ^① |
| T M D | Twin tip - with heat extension | max +200 °C (+400 °F) |

^① TMA/TMC sensors can handle process temperatures up to +200 °C (+400 °F) with remote electronics.

MATERIAL OF CONSTRUCTION FOR SENSOR AND PROCESS CONNECTION

| | | |
|---|---|----------------|
| A | 316/316L (1.4401/1.4404) stainless steel ^① | |
| B | Hastelloy® C (2.4819) | – TMC/TMD only |
| C | Monel® (2.4360) | – TMC/TMD only |
| D | 316/316L (1.4401/1.4404) stainless steel | – TMC/TMD only |

^① Not suitable for zone 0 applications in combination with hermetically sealed relay; use in this case material code D.

PROCESS CONNECTION – SIZE/TYPE

Threaded

| | |
|-------|---------------|
| 1 1 0 | 3/4" NPT |
| 2 1 0 | 1" NPT |
| 2 2 0 | 1" BSP (G 1") |

ANSI flanges

| | | |
|-------|--------|-----------------|
| 2 3 0 | 1" | 150 lbs ANSI RF |
| 2 4 0 | 1" | 300 lbs ANSI RF |
| 2 5 0 | 1" | 600 lbs ANSI RF |
| 3 3 0 | 1 1/2" | 150 lbs ANSI RF |
| 3 4 0 | 1 1/2" | 300 lbs ANSI RF |
| 3 5 0 | 1 1/2" | 600 lbs ANSI RF |
| 4 3 0 | 2" | 150 lbs ANSI RF |
| 4 4 0 | 2" | 300 lbs ANSI RF |
| 4 5 0 | 2" | 600 lbs ANSI RF |

EN (DIN) flanges

| | | | | |
|-------|-------|-------------|-----------|---------|
| B B 0 | DN 25 | PN 16/25/40 | EN 1092-1 | Type A |
| B C 0 | DN 25 | PN 63/100 | EN 1092-1 | Type B2 |
| C B 0 | DN 40 | PN 16/25/40 | EN 1092-1 | Type A |
| C C 0 | DN 40 | PN 63/100 | EN 1092-1 | Type B2 |
| D A 0 | DN 50 | PN 16 | EN 1092-1 | Type A |
| D B 0 | DN 50 | PN 25/40 | EN 1092-1 | Type A |
| D D 0 | DN 50 | PN 63 | EN 1092-1 | Type B2 |
| D E 0 | DN 50 | PN 100 | EN 1092-1 | Type B2 |

INSERTION LENGTH – MINIMUM

| | | Sensor | Process connection |
|-------|----------------|----------|--------------------|
| 0 0 5 | 5 cm (2") | TMA, TMB | NPT |
| 0 0 6 | 5,5 cm (2.17") | | flanged |
| 0 0 7 | 7 cm (2.76") | | BSP |
| 0 0 6 | 5,5 cm (2.17") | TMC, TMD | NPT, flanged |
| 0 0 8 | 7,5 cm (3") | | BSP |

INSERTION LENGTH – SELECTABLE – Specify per cm (0.39") increment

| | | Sensor | Process connection |
|-------|-----------------------|----------|--------------------|
| 0 0 6 | Minimum 6 cm (2.36") | TMA, TMB | NPT |
| 0 0 7 | Minimum 7 cm (2.76") | | flanged |
| 0 0 8 | Minimum 8 cm (3.15") | | BSP |
| 0 0 7 | Minimum 7 cm (2.76") | TMC, TMD | NPT, flanged |
| 0 0 9 | Minimum 9 cm (3.54") | | BSP |
| 3 3 0 | Maximum 330 cm (130") | all | all |



complete order code for Thermatel® TD1/TD2 STANDARD SENSOR

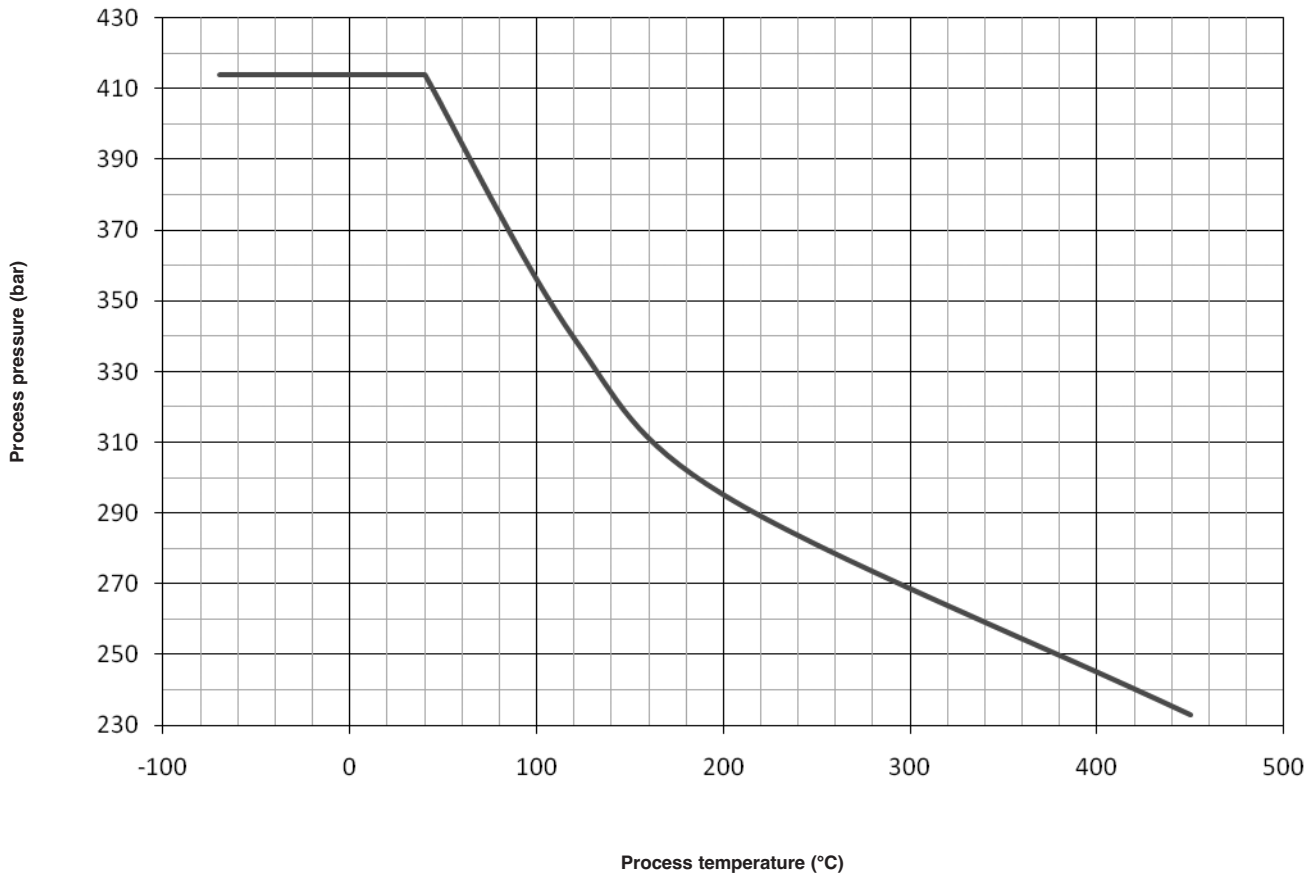
X = product with a specific customer requirement

DIMENSIONS IN mm (inches) – TMH



PRESSURE/TEMPERATURE RATING – TMH

| Maximum process pressure | | | |
|--------------------------|---------------------|---------------------|---------------------|
| @ +40 °C (+100 °F) | @ +120 °C (+250 °F) | @ +200 °C (+400 °F) | @ +450 °C (+850 °F) |
| 414 bar (6000 psi) | 339 bar (4920 psi) | 295 bar (4280 psi) | 233 bar (3380 psi) |



SELECTION DATA (CONT.)

3. Order code for Thermatel® TD1/TD2 – HIGH TEMPERATURE / HIGH PRESSURE SENSOR

| | |
|-------|---|
| T M H | High temperature / high pressure twin tip – max +450 °C (+850 °F) / max 414 bar (6000 psi) ^① |
|-------|---|

^① Not available with retractable probe assembly.

MATERIAL OF CONSTRUCTION FOR SENSOR AND PROCESS CONNECTION

| | |
|---|---|
| A | 316/316L (1.4401/1.4404) stainless steel ^① |
| B | Hastelloy® C (2.4819) |
| D | 316/316L (1.4401/1.4404) stainless steel |

^① Not suitable for zone 0 applications in combination with hermetically sealed relay; use in this case material code D.

PROCESS CONNECTION – SIZE/TYPE

Threaded

| | | | |
|---|---|---|---------------|
| 1 | 1 | 0 | 3/4" NPT |
| 2 | 1 | 0 | 1" NPT |
| 2 | 2 | 0 | 1" BSP (G 1") |

ANSI flanges

| | | | | | |
|---|---|---|--------|--------------|---------|
| 2 | 3 | 0 | 1" | 150 lbs | ANSI RF |
| 2 | 4 | 0 | 1" | 300 lbs | ANSI RF |
| 2 | 5 | 0 | 1" | 600 lbs | ANSI RF |
| 2 | 7 | 0 | 1" | 900/1500 lbs | ANSI RF |
| 3 | 3 | 0 | 1 1/2" | 150 lbs | ANSI RF |
| 3 | 4 | 0 | 1 1/2" | 300 lbs | ANSI RF |
| 3 | 5 | 0 | 1 1/2" | 600 lbs | ANSI RF |
| 3 | 7 | 0 | 1 1/2" | 900/1500 lbs | ANSI RF |
| 3 | 8 | 0 | 1 1/2" | 2500 lbs | ANSI RF |
| 4 | 3 | 0 | 2" | 150 lbs | ANSI RF |
| 4 | 4 | 0 | 2" | 300 lbs | ANSI RF |
| 4 | 5 | 0 | 2" | 600 lbs | ANSI RF |
| 4 | 7 | 0 | 2" | 900/1500 lbs | ANSI RF |
| 4 | 8 | 0 | 2" | 2500 lbs | ANSI RF |

EN (DIN) flanges

| | | | | | |
|---|---|---|-------|-------------|-------------------|
| B | B | 0 | DN 25 | PN 16/25/40 | EN 1092-1 Type A |
| B | C | 0 | DN 25 | PN 63/100 | EN 1092-1 Type B2 |
| B | G | 0 | DN 25 | PN 250 | EN 1092-1 Type B2 |
| C | B | 0 | DN 40 | PN 16/25/40 | EN 1092-1 Type A |
| C | C | 0 | DN 40 | PN 63/100 | EN 1092-1 Type B2 |
| C | G | 0 | DN 40 | PN 250 | EN 1092-1 Type B2 |
| C | J | 0 | DN 40 | PN 400 | EN 1092-1 Type B2 |
| D | A | 0 | DN 50 | PN 16 | EN 1092-1 Type A |
| D | B | 0 | DN 50 | PN 25/40 | EN 1092-1 Type A |
| D | D | 0 | DN 50 | PN 63 | EN 1092-1 Type B2 |
| D | E | 0 | DN 50 | PN 100 | EN 1092-1 Type B2 |
| D | G | 0 | DN 50 | PN 250 | EN 1092-1 Type B2 |
| D | J | 0 | DN 50 | PN 400 | EN 1092-1 Type B2 |

INSERTION LENGTH – MINIMUM

| | | Process connection | | |
|---|---|--------------------|----------------|---------|
| 0 | 0 | 6 | 5,5 cm (2.17") | NPT |
| 0 | 0 | 7 | 7 cm (2.76") | flanged |
| 0 | 0 | 8 | 7,5 cm (3") | BSP |

INSERTION LENGTH – SELECTABLE – Specify per cm (0.39") increment

| | | Process connection | | |
|---|---|--------------------|----------------------|---------|
| 0 | 0 | 7 | Minimum 7 cm (2.76") | NPT |
| 0 | 0 | 8 | Minimum 8 cm (3.15") | flanged |
| 0 | 0 | 9 | Minimum 9 cm (3.54") | BSP |
| 0 | 9 | 1 | Maximum 91 cm (36") | all |



**complete order code for Thermatel® TD1/TD2
HIGH TEMPERATURE /HIGH PRESSURE SENSOR**

→ X = product with a specific customer requirement

SELECTION DATA (CONT.)

3. Order code for Thermatel® TD1/TD2 – MINI SENSOR

| | |
|-------|--|
| T M M | Mini twin tip – max +120 °C (+250 °F) ^① |
|-------|--|

^① TMM sensors can handle process temperatures up to +200 °C (+400 °F) with remote electronics.

MATERIAL OF CONSTRUCTION FOR SENSOR AND PROCESS CONNECTION

| | |
|---|---|
| A | 316/316L (1.4401/1.4404) stainless steel ^① |
|---|---|

^① Not suitable for zone 0 applications in combination with hermetically sealed relay.

PROCESS CONNECTION – SIZE/TYPE

Threaded

| | |
|-------|----------|
| 0 1 0 | 1/2" NPT |
| 1 1 0 | 3/4" NPT |
| 2 1 0 | 1" NPT |

INSERTION LENGTH – MINIMUM

| | |
|-------|-------------|
| 0 0 3 | 2,5 cm (1") |
|-------|-------------|

INSERTION LENGTH – SELECTABLE – Specify per cm (0.39") increment

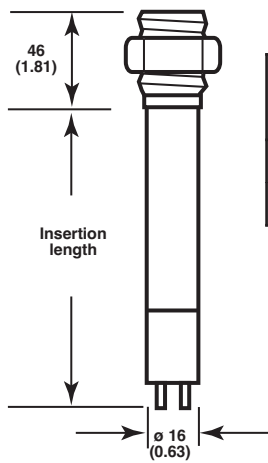
| | |
|-------|-----------------------|
| 0 0 5 | Minimum 5 cm (2") |
| 3 3 0 | Maximum 330 cm (130") |



complete order code for Thermatel® TD1/TD2 MINI SENSOR

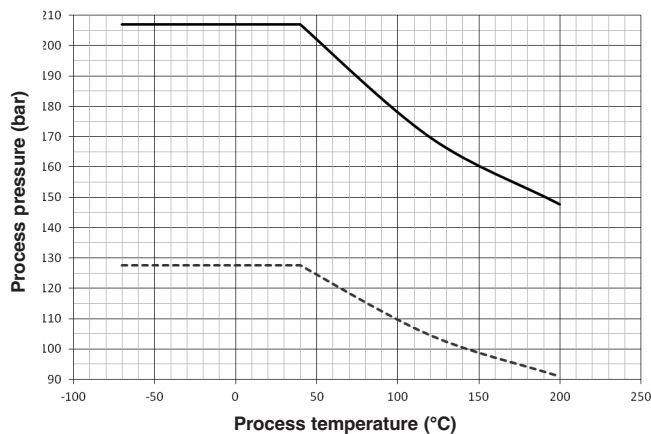
X = product with a specific customer requirement

DIMENSIONS IN mm (inches) & PRESSURE/TEMPERATURE RATING – TMM



| Insertion length | Maximum process pressure | | |
|------------------|--------------------------|---------------------|---------------------|
| | @ +40 °C (+100 °F) | @ +120 °C (+250 °F) | @ +200 °C (+400 °F) |
| = 2,5 cm (1") | 207 bar (3000 psi) | 170 bar (2460 psi) | 148 bar (2140 psi) |
| > 2,5 cm (1") | 128 bar (1850 psi) | 105 bar (1517 psi) | 91,0 bar (1320 psi) |

— Insertion length = minimum length
 - - - Insertion length > minimum length



RECOMMENDED FLOW RANGES – TMM

| Pipe size | Water | Air |
|-----------|----------------------------------|---|
| 1/2" | 0,75 to 680 l/h (0.2 to 180 GPH) | 0,85 to 120 Nm ³ /h (0.5 to 70 SCFM) |
| 3/4" | 2 to 900 l/h (0.5 to 240 GPH) | 2,5 to 170 Nm ³ /h (1.5 to 100 SCFM) |
| 1" | 3,8 to 1600 l/h (1 to 420 GPH) | 5 to 290 Nm ³ /h (3 to 170 SCFM) |

SELECTION DATA (CONT.)

3. Order code for Thematel® TD1/TD2 – LOW FLOW BODY SENSOR

| | |
|-------|---|
| T M L | Low flow body – max +120 °C (+250 °F) ^① / max 400 bar (5800 psi) |
|-------|---|

^① TML sensors can handle process temperatures up to +200 °C (+400 °F) with remote electronics.

MATERIAL OF CONSTRUCTION FOR SENSOR AND PROCESS CONNECTION

| | |
|---|---|
| A | 316/316L (1.4401/1.4404) stainless steel ^① |
|---|---|

^① Not suitable for zone 0 applications in combination with hermetically sealed relay.

PROCESS CONNECTION – SIZE/TYPE

Threaded

| | | | |
|---|---|---|-------------------|
| T | 1 | 0 | 1/4" NPT-F |
| V | 1 | 0 | 1/2" NPT-F |
| T | 0 | 0 | 1/4" BSP (G 1/4") |
| V | 0 | 0 | 1/2" BSP (G 1/2") |

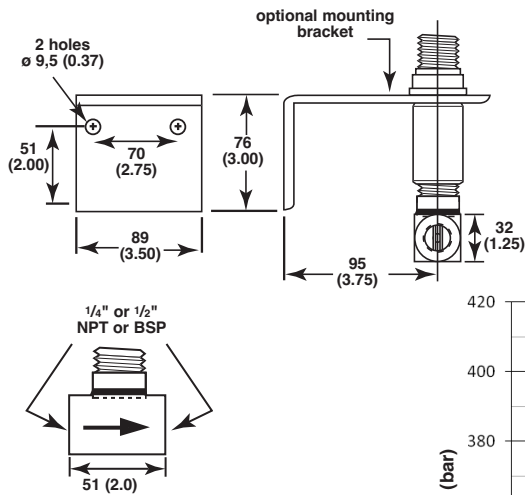
MOUNTING BRACKET

| | | | |
|---|---|---|------------------------------------|
| 0 | 0 | 0 | None |
| 1 | 0 | 0 | With carbon steel mounting bracket |

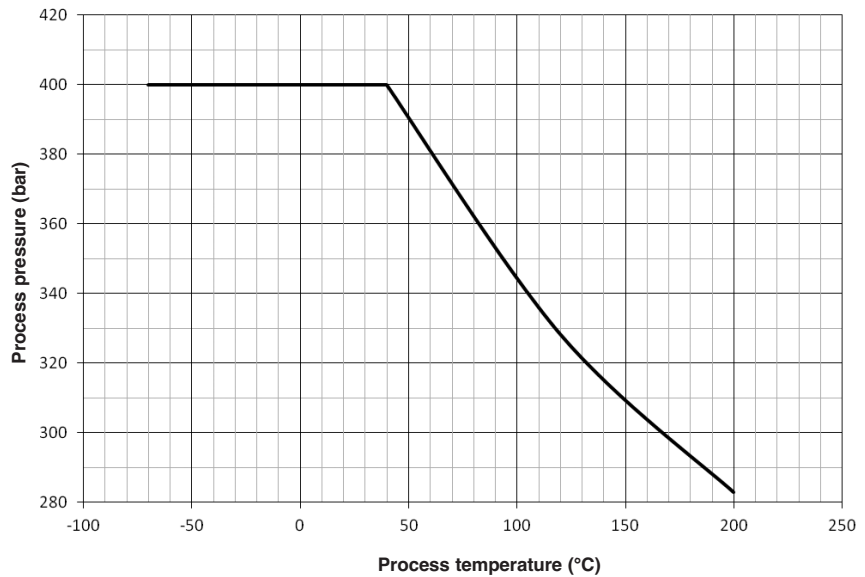
T M L A 0 0 0 complete order code for Thematel® TD1/TD2 LOW FLOW BODY SENSOR

X = product with a specific customer requirement

DIMENSIONS IN mm (inches) & PRESSURE/TEMPERATURE RATING – TML



| Maximum process pressure | | |
|--------------------------|---------------------|---------------------|
| @ +40 °C (+100 °F) | @ +120 °C (+250 °F) | @ +200 °C (+400 °F) |
| 400 bar (5800 psi) | 328 bar (4760 psi) | 283 bar (4100 psi) |



RECOMMENDED FLOW RANGES – TML

| Size | Water | Air |
|----------------|-------------------------------------|--|
| 1/4" flow body | 0,02 to 5,7 l/h (0.0055 to 1.5 GPH) | 0,006 to 5,75 Nm³/h (0.21 to 200 SCFH) |
| 1/2" flow body | 0,04 to 11,5 l/h (0.01 to 3 GPH) | 0,015 to 11,5 Nm³/h (0.53 to 400 SCFH) |

SELECTION DATA (CONT.)

4. Optional sensor mounting flanges

Thread-on mounting flanges can only be used in combination with 3/4" NPT process connection sensor. Consult factory for other sizes or materials.

Thread-on flanges for use with 3/4" NPT-M connections

| ANSI B16.5 flanges | | Part No. | | |
|--------------------|------------|--------------|--------------|--------------|
| | | Carbon steel | 316/316L SST | Hastelloy C |
| 1" | 150 lbs RF | 004-5867-041 | 004-5867-043 | 004-5867-052 |
| 1 1/2" | 150 lbs RF | 004-5867-021 | 004-5867-001 | 004-5867-031 |
| 2" | 150 lbs RF | 004-5867-022 | 004-5867-002 | 004-5867-032 |
| 3" | 150 lbs RF | 004-5867-023 | 004-5867-003 | 004-5867-033 |
| 4" | 150 lbs RF | 004-5867-024 | 004-5867-004 | 004-5867-034 |
| 6" | 150 lbs RF | 004-5867-025 | 004-5867-005 | 004-5867-035 |
| 1" | 300 lbs RF | 004-5867-042 | 004-5867-044 | 004-5867-053 |
| 1 1/2" | 300 lbs RF | 004-5867-026 | 004-5867-006 | 004-5867-036 |
| 2" | 300 lbs RF | 004-5867-027 | 004-5867-007 | 004-5867-037 |
| 3" | 300 lbs RF | 004-5867-028 | 004-5867-008 | 004-5867-038 |
| 4" | 300 lbs RF | 004-5867-029 | 004-5867-009 | 004-5867-039 |
| 6" | 300 lbs RF | 004-5867-030 | 004-5867-010 | 004-5867-040 |
| 1" | 600 lbs RF | 004-5867-051 | 004-5867-050 | 004-5867-054 |
| 1 1/2" | 600 lbs RF | 004-5867-046 | 004-5867-045 | 004-5867-055 |
| 2" | 600 lbs RF | 004-5867-049 | 004-5867-048 | 004-5867-056 |

ELECTRONICS SPECIFICATIONS

| Description | | TD1 | TD2 |
|------------------------------|------------|--|--|
| Power supply | | 19,2 to 28,8 V DC | 19,2 to 28,8 V DC 100 to 264 V AC, 50-60 Hz |
| Power consumption | | 3,5 W @ 24 V DC | 4 W @ 24 V DC or 5 W @ 264 V AC |
| Flow range | | TMA-A, TMB-A, TMC-A, TMD-A, TMM: 0,003 to 1,5 m/s (0.01 to 5.0 FPS) – water 0,03 to 150 m/s (0.1 to 500 FPS) – air | |
| | | TMM: see table on page 12 | |
| | | TMC-B, TMC-C, TMC-D, TMD-B, TMD-C, TMD-D, TMH: 0,003 to 0,3 m/s (0.01 to 1.0 FPS) – water 0,03 to 150 m/s (0.1 to 500 FPS) – air | |
| | | TML: see table on page 13 | |
| Output | Alarm | DPDT relay: 8 A @ 120 V AC / 250 V AC 8 A @ 30 V DC; 0,5 A @ 125 V DC | |
| | | Hermetically sealed relay not available | Hermetically sealed DPDT relay: 1A @ 28 V DC; 0,2 A @ 125 V DC |
| | Continuous | Not applicable | non linear mA for trending (not for all models - see electronics part number on page 7) |
| | Error | Via alarm relay | 3,6 mA (Low Level Fail-safe) – 22 mA (High Level Fail-safe) and alarm relay |
| Time delay | | Not available | 0 to 100 s adjustable (in addition to sensor response time) |
| User interface | | - Local switches for gain setting, function setting and High/Low Level Fail-safe - Calibration and time delay via potentiometer | |
| Display | | LED's for Power/Alarm status | 2 green LED's (safe condition), 1 yellow LED (alarm setpoint being approached) 1 red LED (alarm condition) |
| Approvals | | ATEX II 2 G Ex d IIC T5..T4 Gb, flameproof enclosure - TD2 for zone 1 ATEX II 1/2 G Ex d+ib, d [ib] IIC T5..T4 Ga/Gb, flameproof enclosure - TD1 & TD2 (TD2 only with 8A DPDT relay) IEC Ex d + ib, d [ib] IIC T5/T4 Gb/Ga - TD1 & TD2 IEC Ex d IIC T5/T4 Gb - TD2 only Other approvals are available, consult factory for more details | |
| SIL (Safety Integrity Level) | | Functional safety to SIL1 as 1oo1 / SIL2 as 1oo2 in accordance to IEC 61508 – SFF of 69,3 % (TD1) and 73 % (TD2) – full FMEDA reports and declaration sheets available | |
| Housing material | | IP66/Aluminium A356T6 (<0.20 % copper) or stainless steel | |
| Net weight | | Aluminium: 1,1 kg (2.4 lbs) - integral electronics only Stainless steel: 2,6 kg (5.7 lbs) - integral electronics only | |

PERFORMANCE

| Description | Specification |
|-------------------------------|--|
| Response time | 1-10 s typical (dependent on sensor type, application and set point) |
| Repeatability | < 1 % @ constant temperature |
| Ambient temperature | ATEX/IEC Ex d - T4 & non Ex: -40 °C to +70 °C (-40 °F to +160 °F) ATEX/IEC Ex d - T5: -40 °C to +40 °C (-40 °F to +104 °F) Storage: -50 °C to +75 °C (-58 °F to +170 °F) |
| Humidity | 0-99 %, non-condensing |
| Electromagnetic compatibility | Meets CE requirements (EN 61326: 1997 + A1 + A2) |

SENSOR SPECIFICATIONS

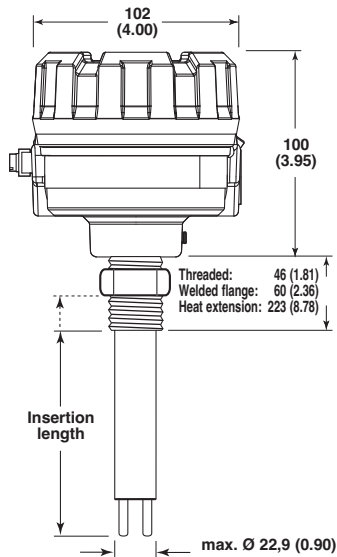
| Description | Spherical tip - Twin tip sensors TMA/TMB - TMC/TMD | HTHP sensor TMH |
|----------------------|--|---|
| Materials | 316/316L (1.4401/1.4404) Hastelloy® C (2.4819) – TMC/TMD only Monel® (2.4360) – TMC/TMD only | 316/316L (1.4401/1.4404) Hastelloy® C (2.4819) |
| Sensor diameter | 22,9 mm (0.90") | 21,9 mm (0.86") |
| Process connection | Threaded: NPT or BSP Flanged: various ANSI or EN (DIN) flanges | |
| Sensor length | 5 - 330 cm (2" - 130") | 5,5 - 91 cm (2.17" - 36") |
| Process temperature | TMA/TMC ^① : -70 °C to +120 °C (-100 °F to +250 °F) TMB/TMD: -70 °C to +200 °C (-100 °F to +400 °F) | -70 °C to +450 °C (-100 °F to +850 °F) |
| Max process pressure | See info on page 8 | See info on page 10 |

^① Use remote electronics (TD2) for temperatures > +120 °C (+250 °F) up to max +200 °C (+400 °F) or sensors with heat extension (TMB/TMD) when using integral electronics.

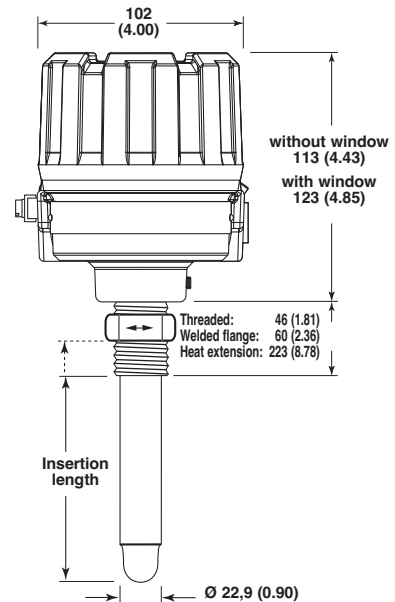
| Description | Mini twin tip sensor TMM | Low flow body TML |
|----------------------|---|-------------------------------------|
| Materials | 316/316L (1.4401/1.4404) | |
| Sensor diameter | 16 mm (0.63") | 1/4" or 1/2" pipe size |
| Process connection | Threaded: 1/2", 3/4" or 1" NPT | Threaded: 1/4" or 1/2" NPT-F or BSP |
| Sensor length | 2,5 - 330 cm (1" - 130") | Not applicable |
| Process temperature | -70 °C to +120 °C (-100 °F to +250 °F) ^① | |
| Max process pressure | See info on page 12 | See info on page 13 |

^① Use remote electronics (TD2) for temperatures > +120 °C (+250 °F) up to max +200 °C (+400 °F).

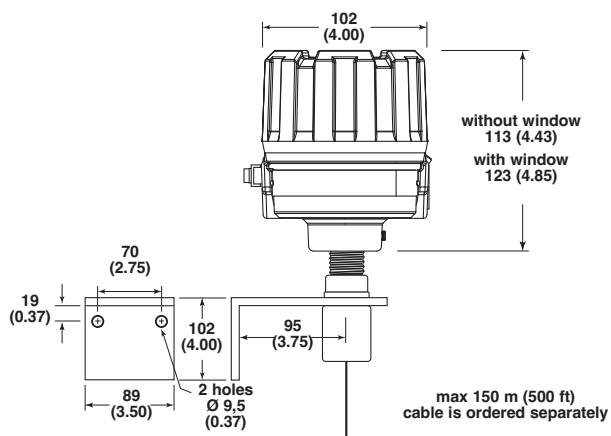
DIMENSIONS IN mm (inches)



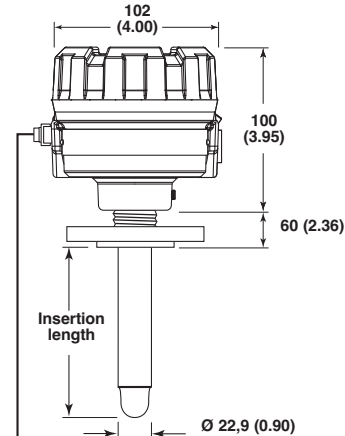
Model TD1 with TMC/TMD twin tip sensor



Model TD2 with integral electronics and TMA/TMB spherical tip sensor



Model TD2 with remote electronics



Remote TMA spherical tip sensor with flanged connection

QUALITY ASSURANCE - ISO 9001:2008



THE QUALITY ASSURANCE SYSTEM IN PLACE AT MAGNETROL GUARANTEES THE HIGHEST LEVEL OF QUALITY DURING THE DESIGN, THE CONSTRUCTION AND THE SERVICE OF CONTROLS. OUR QUALITY ASSURANCE SYSTEM IS APPROVED AND CERTIFIED TO ISO 9001:2008 AND OUR TOTAL COMPANY IS COMMITTED TO PROVIDING FULL CUSTOMER SATISFACTION BOTH IN QUALITY PRODUCTS AND QUALITY SERVICE.

PRODUCT WARRANTY

ALL MAGNETROL ELECTRONIC AND ULTRASONIC LEVEL CONTROLS ARE WARRANTED FREE OF DEFECTS IN MATERIALS AND WORKMANSHIP FOR 18 MONTHS FROM THE DATE OF ORIGINAL FACTORY SHIPMENT. IF RETURNED WITHIN THE WARRANTY PERIOD; AND, UPON FACTORY INSPECTION OF THE CONTROL, THE CAUSE OF THE CLAIM IS DETERMINED TO BE COVERED UNDER THE WARRANTY; THEN, MAGNETROL INTERNATIONAL WILL REPAIR OR REPLACE THE CONTROL AT NO COST TO THE PURCHASER (OR OWNER) OTHER THAN TRANSPORTATION. MAGNETROL SHALL NOT BE LIABLE FOR MISAPPLICATION, LABOR CLAIMS, DIRECT OR CONSEQUENTIAL DAMAGE OR EXPENSE ARISING FROM THE INSTALLATION OR USE OF THE EQUIPMENT. THERE ARE NO OTHER WARRANTIES EXPRESSED OR IMPLIED, EXCEPT, SPECIAL WRITTEN WARRANTIES COVERING SOME MAGNETROL PRODUCTS.



BULLETIN N°: BE 54-110.8 (QRC)
EFFECTIVE: JUNE 2017
SUPERSEDES: December 2014

UNDER RESERVE OF MODIFICATIONS

| | |
|-------------------|--|
| BENELUX FRANCE | Heikensstraat 6, 9240 Zele, België -Belgique Tel. +32 (0)52.45.11.11 • Fax. +32 (0)52.45.09.93 • E-Mail: info@magnetrol.be |
| DEUTSCHLAND | Alte Ziegelei 2-4, D-51491 Overath Tel. +49 (0)2204 / 9536-0 • Fax. +49 (0)2204 / 9536-53 • E-Mail: vertrieb@magnetrol.de |
| INDIA | B-506, Sagar Tech Plaza, Saki Naka Junction, Andheri (E), Mumbai - 400072 Tel. +91 22 2850 7903 • Fax. +91 22 2850 7904 • E-Mail: info@magnetrolindia.com |
| ITALIA | Via Arese 12, I-20159 Milano Tel. +39 02 607.22.98 • Fax. +39 02 668.66.52 • E-Mail: mit.gen@magnetrol.it |
| RUSSIA | Business center "Farvater", Ruzovskaya Street 8B, office 400A, 190013 St. Petersburg Tel. +7 812 320 70 87 • E-Mail: info@magnetrol.ru |
| U.A.E. | PO Box 261454 • JAFZA LIU FZS1 – BA03, Jebel Ali Tel. +971 4 880 63 45 • Fax +971 4 880 63 46 • E-Mail: info@magnetrol.ae |
| UNITED KINGDOM | Unit 1 Regent Business Centre, Jubilee Road Burgess Hill West Sussex RH 15 9TL Tel. +44 (0)1444 871313 • Fax +44 (0)1444 871317 • E-Mail: sales@magnetrol.co.uk |

www.magnetrol.com

OUR NEAREST REPRESENTATIVE