

Diaphragm seal

sanitary connection acc. to DIN 11851
or SMS 1145

Applications

- food and beverage industry
- biochemical industry
- pharmaceutical industry

Standards / Approvals

- DIN 11851
- SMS 1145



Features

- DIN 11851 or SMS 1145 connection
- flush diaphragm with no dead spaces
- easy disconnection and cleaning
- wide range of instrument connections

Pressure rating

- 25/40 bar - view tables on page 2

Process connection

- S-DIN model: acc. to DIN 11851
- S-SMS model: acc. to SMS 1145

Instrument connection

- 1/2" BSPP, NPT
- 1/4" BSPP, NPT
- M20x1,5
- other on request

Wetted parts material

- 304 (1.4301) stainless steel
- 316L (1.4404) stainless steel
- other on request

Filling fluid

- silicone oil (max. 200°C)
- high temperature oil (max. 315°C)
- oil for vacuum service
- vegetable oil
- fluorine oil
- other on request

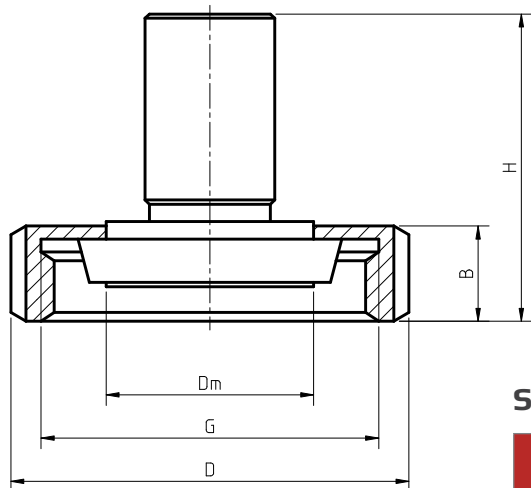
Optional capillary

- length up to 15m
- armored, axial entry
- 304 (1.4301) stainless steel

Options

- radiator

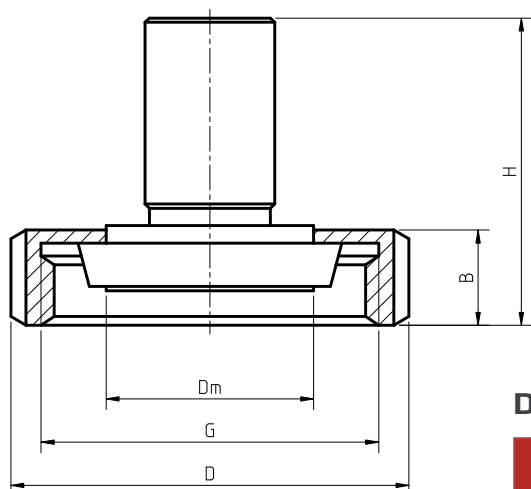
Model S-DIN



Sample dimensions (in mm)

DN	PN	D	G	W	h	H
25	40	29,5	63	Rd 52 x 1/6	21	69
32	40	32	70	Rd 58 x 1/6	21	69
40	40	35	78	Rd 65 x 1/6	21	69
50	25	48	92	Rd 78 x 1/6	22	70

Model S-SMS



Dimensions (in mm)

DN	PN	D	G	D	h	H
1-1/2"	40	40	74	Rd 60 x 1/6	25	73
2"	40	49,8	84	Rd 70 x 1/6	26	74

Ordering: model - process connection - material (diaphragm, body) - capillary length (if applicable) - instrument connection - other options or requests

For proper diaphragm seal manufacturing and calibration, process data - temperatures, pressures and media type - should be provided.